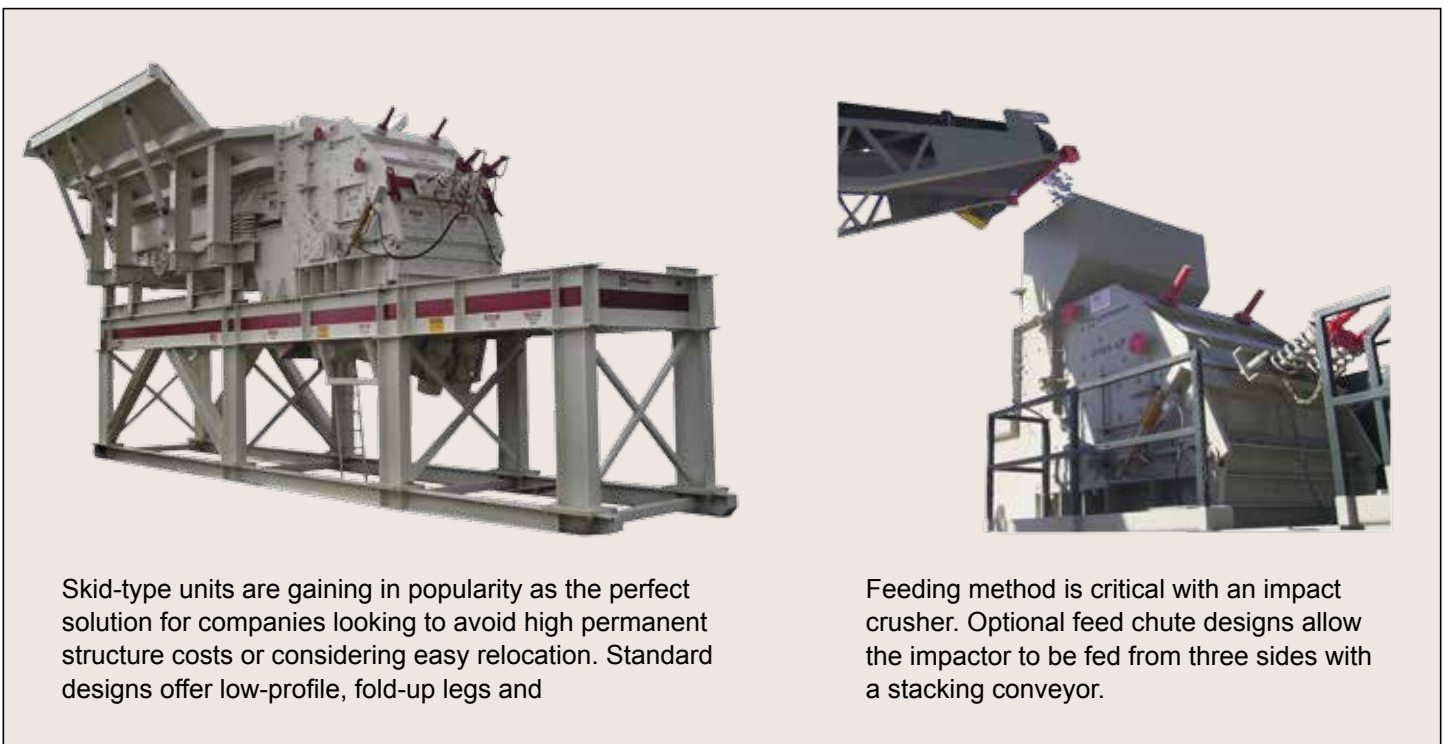
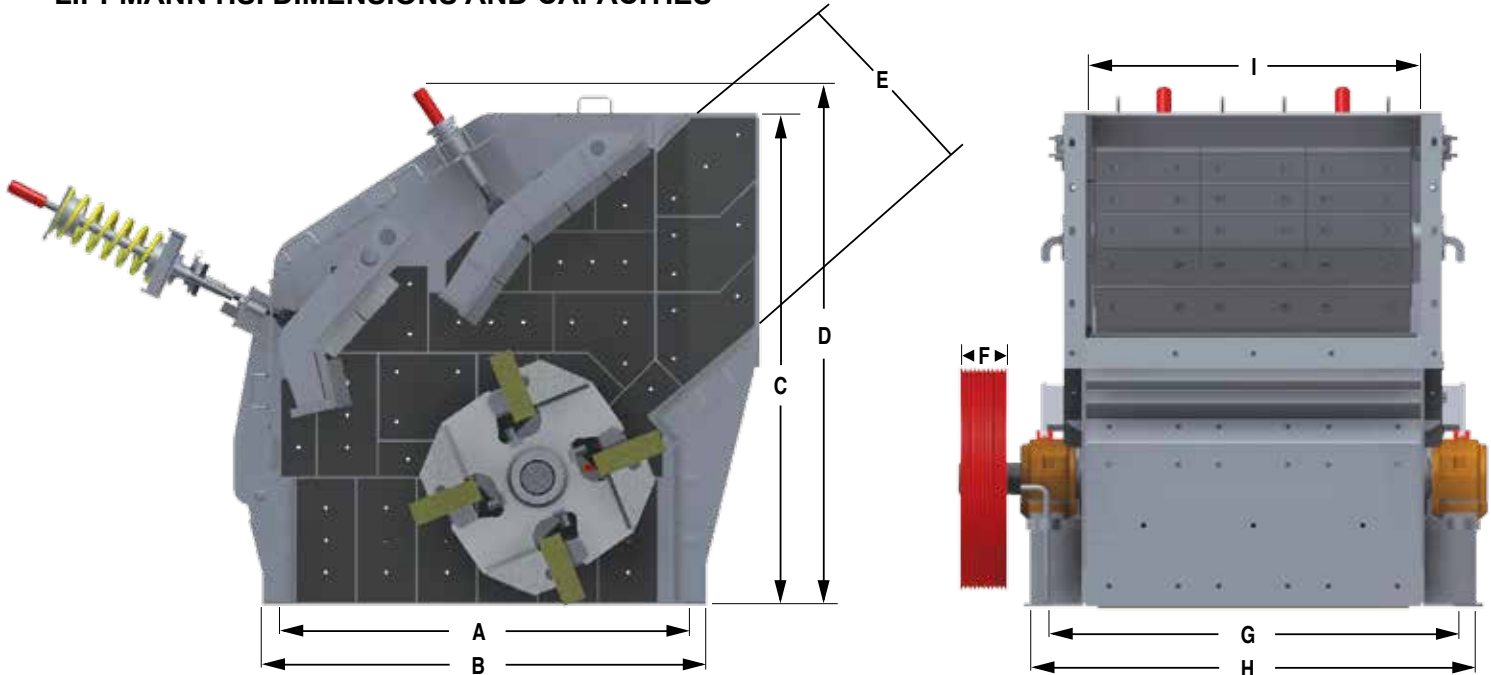

**GREATER RELIABILITY,  
YOUR BEST VALUE**

- Andreas-type impact crusher design
- Produces highly cubical product
- High ratio of reduction
- Hammers have four crushing positions to maintain a more constant gradation and greater top-size control
- No weld buildup required on wear surfaces
- Less capital outlay than competitive crushers
- High degree of product size control
- Wear components have long life due to advanced metallurgy
- Ideal for portable mounting
- One gravity and one spring-loaded curtain with optional third curtain allow easy adjustment from exterior of crusher
- Maintenance through inspection doors or by hydraulically opened hood (electric/hydraulic power unit is standard)



Skid-type units are gaining in popularity as the perfect solution for companies looking to avoid high permanent structure costs or considering easy relocation. Standard designs offer low-profile, fold-up legs and

Feeding method is critical with an impact crusher. Optional feed chute designs allow the impactor to be fed from three sides with a stacking conveyor.

**LIPPMANN HSI DIMENSIONS AND CAPACITIES**


SIZE		A	B	C	D	E	F	G	H	I	J	K	WEIGHT (lbs.)
4236LS	in	42	72	75	71	84	104	24	4.438	54.25	57.75	37.5	15,900
	mm	1,067	1,829	1,905	1,803	2,134	2,642	610	113	1,378	1,467	953	7,212
4248LS	in	42	72	75	71	84	104	24	5.813	66.25	69.75	49.5	19,500
	mm	1,067	1,829	1,905	1,803	2,134	2,642	610	148	1,683	1,772	1,257	42,990
4248LP	in	42	72	75	84	86.5	112	34	5.813	67.25	70.75	49.5	24,000
	mm	1,067	1,829	1,905	2,134	2,197	2,845	864	148	1,708	1,797	1,257	10,886
5165LS	in	45	75	79	90	99	116	31	7.125	86	89	66.5	35,800
	mm	1,143	1,905	2,007	2,286	2,515	2,946	787	181	2,184	2,261	1,689	16,239
5165LX	in	73.938	84.75	87.75	95.563	103.563	127.188	40	11.625	88	90.5	66.5	47,000
	mm	1,878	2,153	2,229	2,427	2,630	3,231	1,016	295	2,235	2,299	1,689	21,319
5165LP	in	44	86	91.5	95.5	98	129	40	7.125	88	90.5	66.5	49,000
	mm	1,118	2,184	2,324	2,426	2,489	3,277	1,016	181	2,235	2,299	1,689	22,226
5196LS	in	44	84	89	90	95.25	130	31	(2) 7.125	108	123	97.5	60,500
	mm	1,118	2,134	2,261	2,286	2,419	3,302	787	181	2,743	3,124	2,477	27,442
5860LP	in	51.563	99.5	105.438	111	111	147.625	48	9.375	84	88.5	61.5	63,000
	mm	1,310	2,527	2,678	2,819	2,819	3,750	1,219	238	2,134	2,248	1,562	28,576

Lippmann Milwaukee, Inc.  
 3271 East Van Norman Avenue  
 Cudahy, WI 53110-0586  
 (800) 648-0486 • (414) 744-2565  
 Fax: (414) 744-8172  
 www.lippmann-milwaukee.com

Sold and serviced by:

The information contained in this literature is meant to be general in nature and is not intended to be used for specific application, construction, or installation purposes. Please note that machine capacities, settings, and other application considerations can vary from the information contained in this literature, depending on the material being crushed, moisture, feed sizes, other materials in the feed, etc. As a result, no warranty of any kind, either expressed or implied, is extended with the information contained in this literature. Lippmann Milwaukee, Inc. expressly reserves the right to change specifications or designs without prior notice or obligation.