

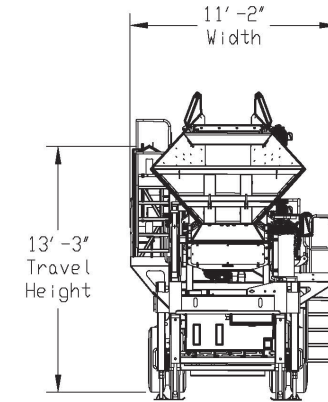
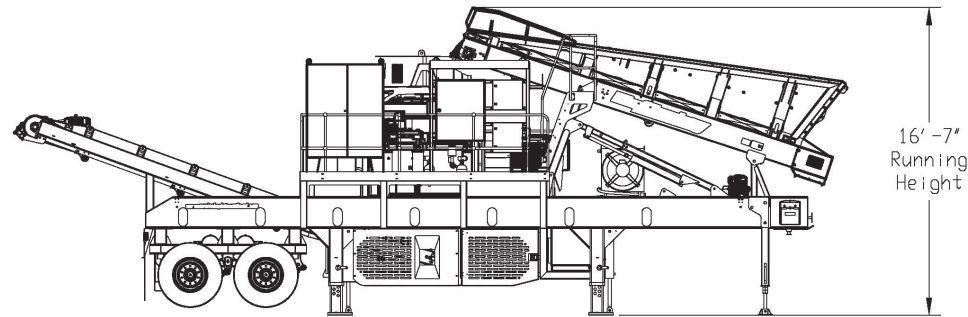
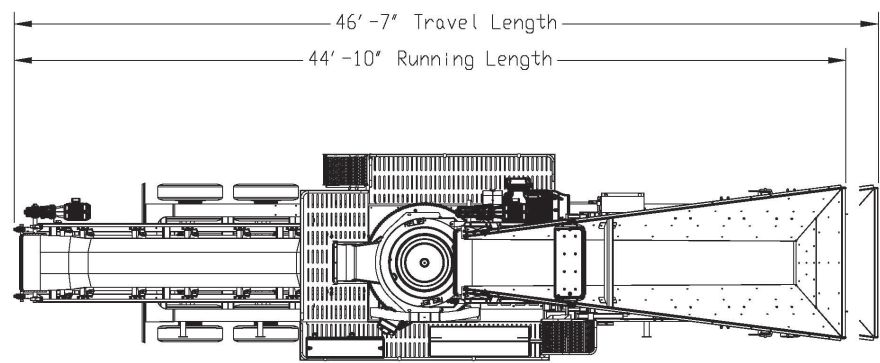


LC20010W CONE CRUSHER

The Lippmann LC20010W Cone Crusher combines the productivity of the 38" cone with the versatility of moving in out of job sites quickly. The LC200 cone crusher distinguishes itself as an entry-level cone with full level features like an anti-spin system and fully automated CSS adjust and full hydraulic relief system.

- 200Hp Cone Crusher
- Bushing type cone with superior throw and cavity design
- Multiple liner configurations
- 2 Axle Carrier
- Large walkways for easy access to crusher and auxillary items
- Cone feed conveyor with surge capacity
- Rear discharge conveyor
- Overflow chute
- Cone crusher hydraulic adjust and relief

LC200IOW



SPECIFICATIONS

Crusher	LC200	Horsepower	
Head Diameter	37"	Crusher	200
Hydraulic Capacity	26.4 Gallons	Hydraulic Power Unit	10
Lube Oil Capacity	73 Gallons	Lube Unit	7.5
Feed Conveyor	36"	Air Oil Cooler	5
Feed Conveyor Height	12'-8"	Heaters	2x 4kW
Rear Discharge Conveyor	42"	Feed Conveyor	20
Conveyor Discharge Height	9'-2"	Discharge Conveyor	20

ADDITIONAL OPTIONS

- Overflow Chute
- NEMA - 12 Motor Control Center
- Four (4) Leveling Hydraulic Jacks - 70k lbs
- Crusher level sensor with feed control