

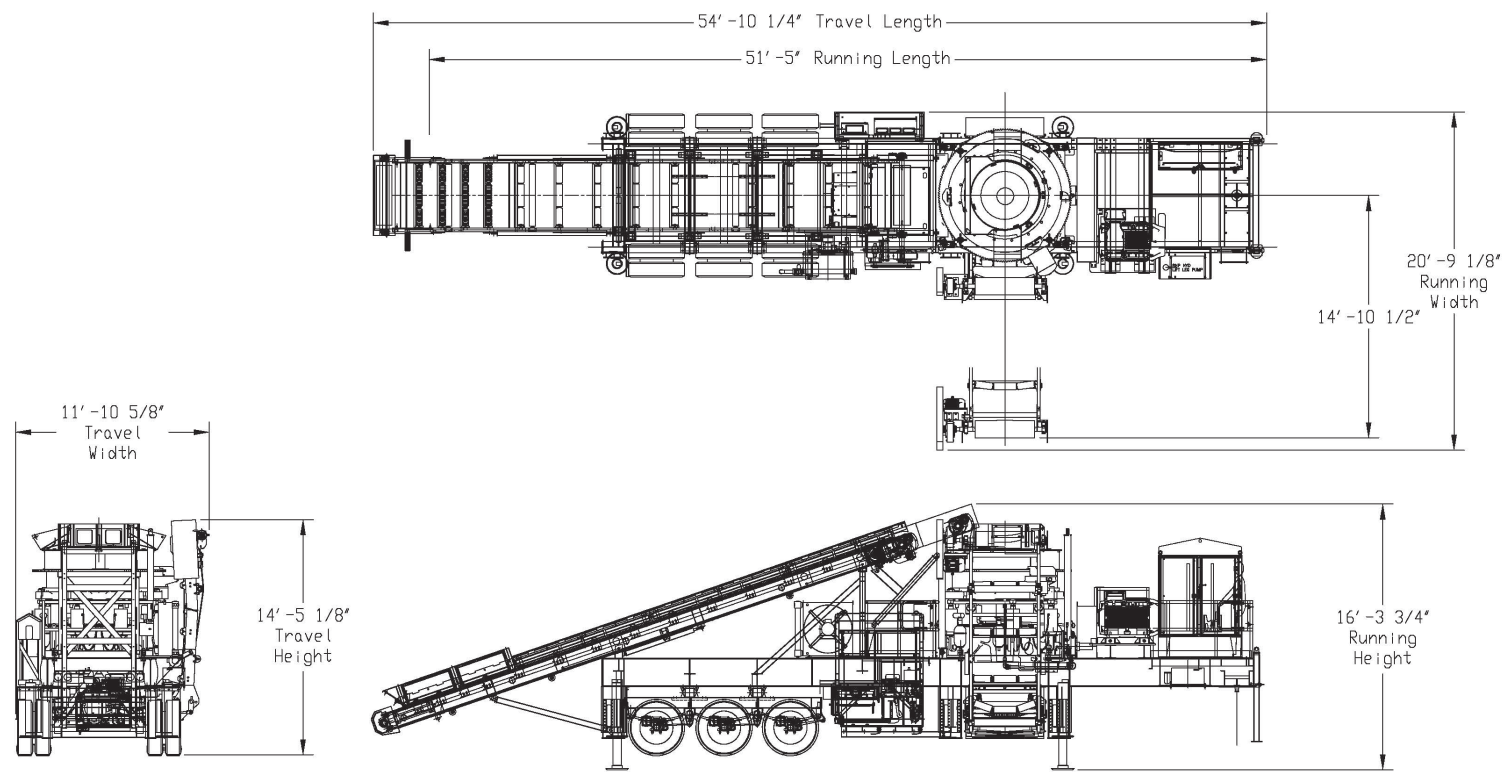


LC40010W IN-OUT PORTABLE CONE PLANT

The Lippmann LC40010W plant delivers substantial production to keep up with a large primary crushers. This one piece move includes a large bushing type 400Hp cone crusher with a fully automated control system. This plant features a feed conveyor and a side discharge which will be ideal for being fed from a screen plant and in closed circuit operations.

- 400HP Cone Crusher
- Bushing type cone with superior speed throw and cavity design
- Multiple liner configurations
- 3 axle carrier
- On plant crusher feed conveyor
- On plant folding side discharge conveyor
- Overflow chute
- Cone hydraulic adjust and relief

LC400IO



SPECIFICATIONS

Crusher	LC400	Horsepower	
Head Diameter	52"	Crusher	400
Hydraulic Capacity	39.6 Gallons	Hydraulic Power Unit	10
Lube Oil Capacity	132 Gallons	Lube Unit	10
Feed Conveyor	42" x 33'	Air Oil Cooler	7.5
Feed Conveyor Height	5' - 1"	Heaters	3x 4kW
Side Discharge Conveyor	42" x 19'	Feed Conveyor	20
Conveyor Discharge Height	5' - 6"	Discharge Conveyor	10

ADDITIONAL OPTIONS

Overflow Chute	Four (4) Leveling Hydraulic Jacks - 70k lbs
NEMA - 12 Motor Control Center	Six (6) Run-On jack Legs