

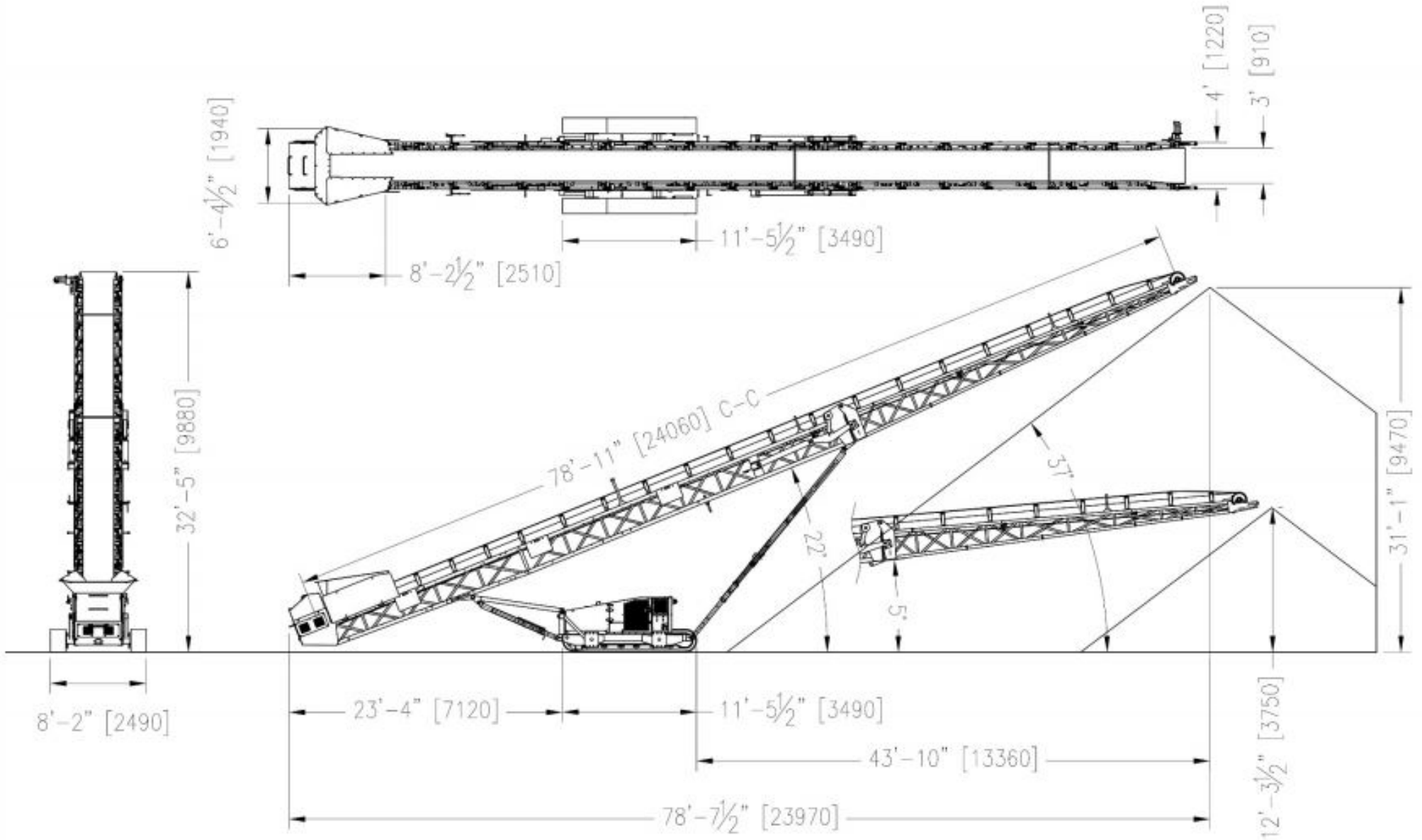


LTS80 TRACKED STACKER

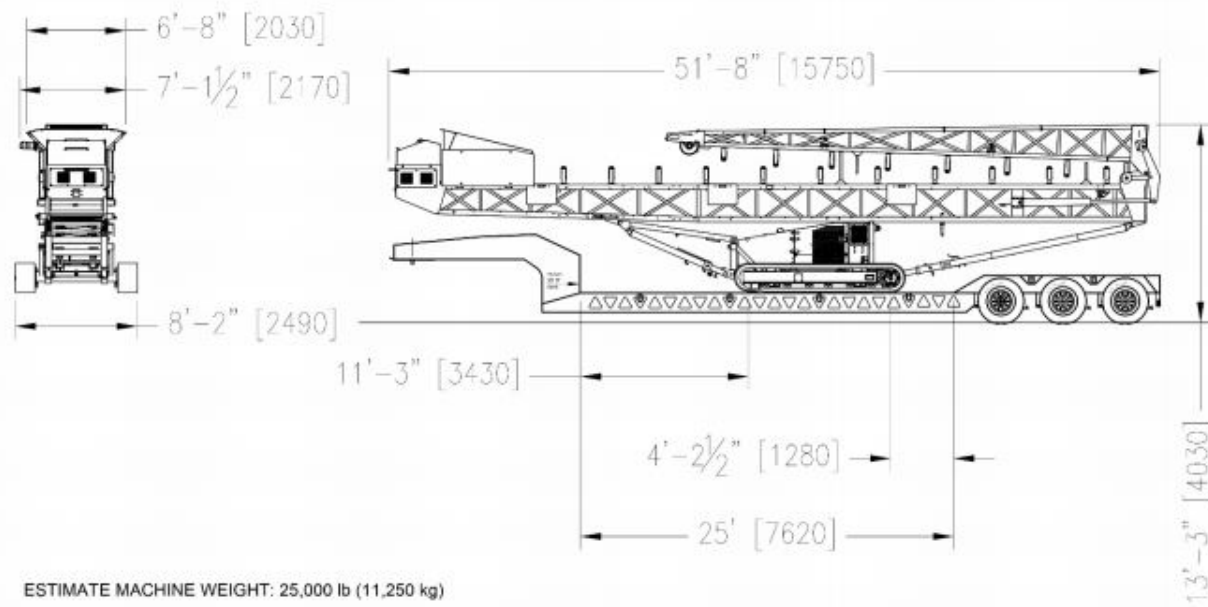
The Lippmann 36" x 80' Tracked Stacker has been designed for high capacity stockpiling operations with on-site track mobility. All units come as standard with diesel power units, hydraulic main lift and hydraulic top fold for a fast on-site setup time. Electric and dual power are available as options based on the best application for the customer's business. The LTS Line is equipped with a radio-controlled track mounted unit. This heavy duty mobile stacker has a 22.5 degree max conveyor angle allowing for the highest stockpiles per conveyor length in the industry. With its durable truss frame, large feed hopper and production capacity up to 800 TPH, the Lippmann LTS-80 stacks up well above the competition. Available with numerous custom options offered to meet each customer's unique requirements

- 900 mm (36"O wide heavy duty 80' long conveyor
- 36.5kW (49 hp) diesel engine
- On-site track mobility
- Large feed hopper
- Hydraulic folding frame for easy transport
- Fast on-site setup time (5 minutes)
- Abundant service room inside the power-pack
- Adjustable hopper height to optimize operational efficiency

LTS80



LTS80



ESTIMATE MACHINE WEIGHT: 25,000 lb (11,250 kg)

SPECIFICATIONS - LTS80

Belt Width	36" (900mm)	Track Specs	
Belt Length (Pulley Centers)	80' (24,380mm)	Track Width	1' 3-3/4" (400 mm)
Belt Type	Heavy Duty Plain 3-Ply, 3/16" x 1/16"	Track Length (Center-to-Center)	8' 1" (2,470 mm)
Drive Pulley Diameter	14" (355mm)	Track Height	2' 5" (594 mm)
Trail Pulley Diameter	12" (304mm)	Maximum Speed	0.75 mph (1.2 km/hr.)
Maximum Belt Speed	548 ft/min. (167 m/min)	Working Dimensions (With Lift Axle Option)	
Maximum Conveyor Capacity	500 TPH	Width	20' 4" (6,200 mm)
Diesel Engine Size	49 hp (36.5 kW)	Length	84' 5" (25,730 mm)
Diesel Tank Capacity	87 US Gallon (330 L)	Height	35' 1" (10,690 mm)
Hydraulic Tank Capacity	116 US Gallon (440 L)	Transport Dimensions	
Working Dimensions		Width	8' 2" (2,490 mm)
Width	8' 2" (2,490 mm)	Length	51' 8" (15,750 mm)
Length	82' 9-1/2" (25,240 mm)	Height	11' 3" (3,420 mm)
Height	32' 5" (9,880 mm)	Total Weight (approximate)	25,000 lbs (11,400 kg)

ADDITIONAL OPTIONS

Landing Gear	ASGCO Scraper	Anti-Segregation Paddle Wheel	Hopper Wear Plate Liner
Belt Scale	Impact Idlers Under Hopper	Auxiliary Guarding	TimBin - Large Hopper Bin (450tph)"
Spray Bar	Lift Axle	Hopper Wing Plates	
Chevron Belt	Magnet Material Separator		