

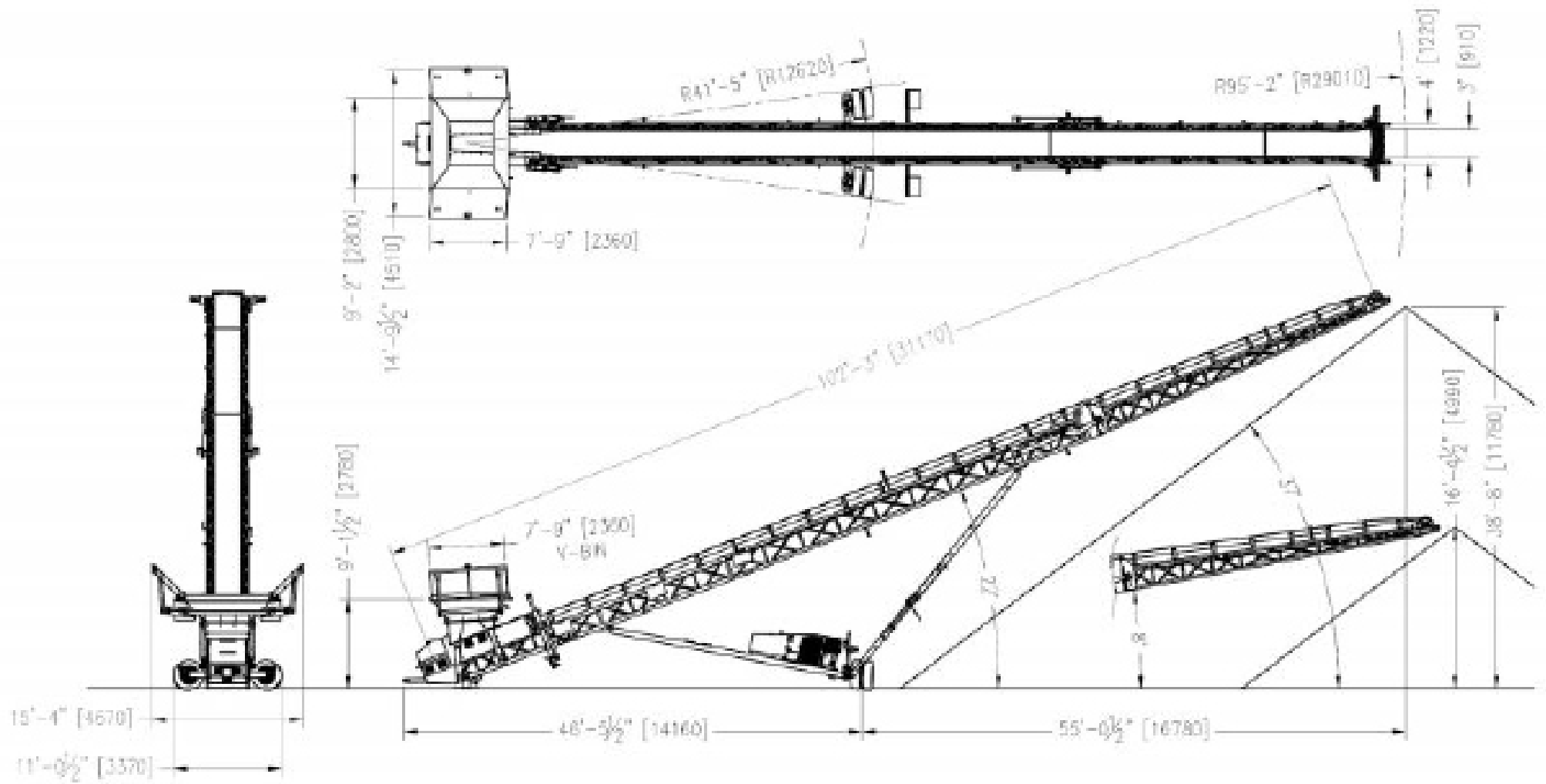


# LWS100 WHEELED STACKER

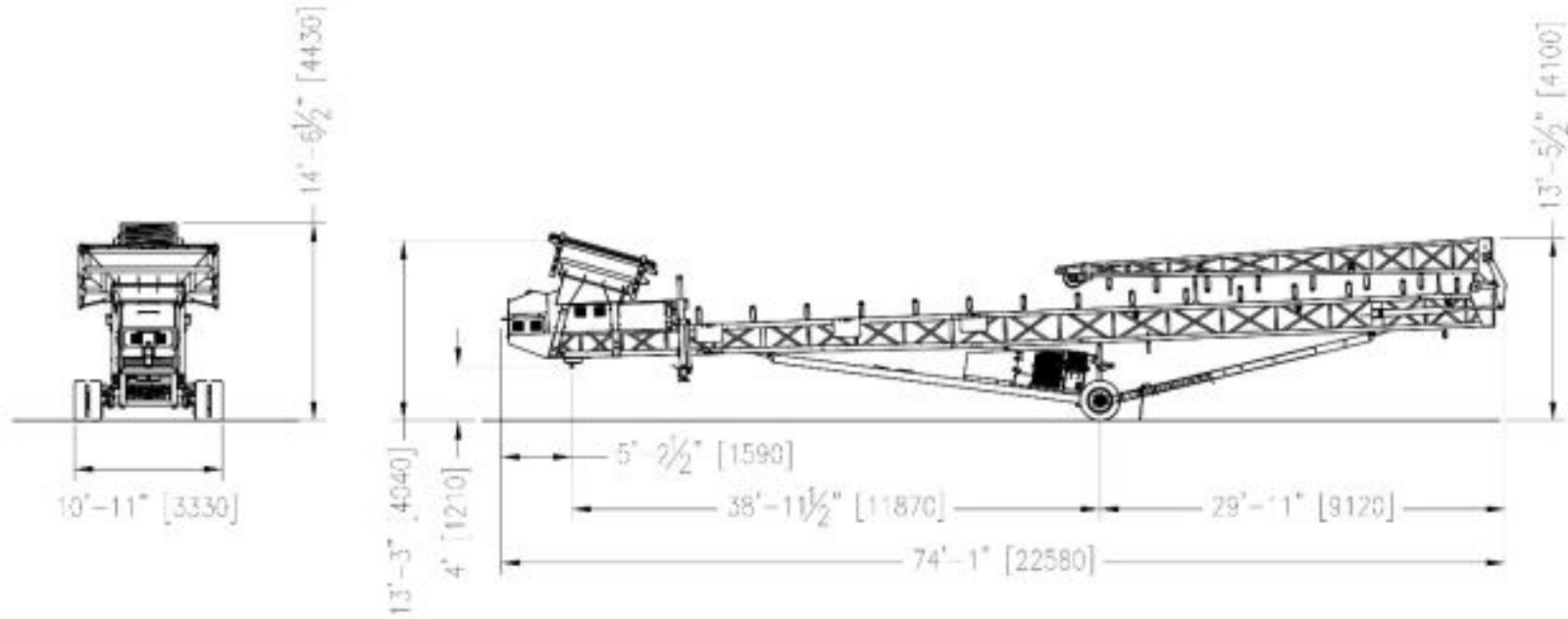
The Lippmann Wheeled Stackers have been designed for high capacity stockpiling operations. Conveyors come standard with electric drive, 7.5 cu. yard hopper, impact idlers under hopper and road towable. All units have optional upgrades of a diesel power unit, hydraulic main lift and hydraulic top fold along with dual power available to best suit the customer's application. The LWS Conveyor Line is also available as a radio-controlled track mounted unit. With its durable truss frame, large feed hopper and base production capacity of up 800 TPH, the Lippmann LWS Stackers stand up well above the competition.

- Wide heavy-duty telescoping conveyor-36" (900mm)
- Counterweighted design keeps the axle out of stockpile
- 3-position axle (Inline/Transverse/Radial)
- Wheel drive on lift axle
- Full automation package
- Integral kin pin/pivot point

# LWS100



# LWS100



## SPECIFICATIONS

### Conveyor Specs

Belt Width	36" (900mm)
Belt Length (Pulley Centers)	100' (30,480mm)
Belt Type	Heavy Duty Plain 3-Ply, 3/16"x1/16"
Drive Pulley Diameter	14" (355mm)
Tail Pulley Diameter	12" (304mm)
Maximum Belt Speed	548 ft/min. (167 m/min.)
Maximum Conveyor Capacity	800 TPH

### Optional Self-Contained Diesel Engine

Diesel Engine Size	100hp (74.5 kW)
Diesel Tank Capacity	87 US Gallon (330 L)
Hydraulic Tank Capacity	116 US Gallon (440 L)

### Working Dimensions

Width	15' 4" (4,670mm)
Length	104' 10" (31,950 mm)
Height	40' 9-1/2" (12,430mm)

### Transport Dimensions

Width	10' 11" (3,330mm)
Length	73' 6-1/2" (22,410mm)
Height (approximate)	13' 6" (4,120mm)

Total Weight (approximate)	27,000 lbs (12,300 kg)
----------------------------	------------------------

## ADDITIONAL OPTIONS

Self-Contained Diesel engine - Hydraulic Drive,	Spray Bar	Axle Extensions
Hydraulic Landing Gear	Chevron Belt	Hopper Wear Plate Liner
Dual Power (Electric/Hydraulic)	Asgico Belt Scraper	Auxiliary Guarding

Belt Scale

