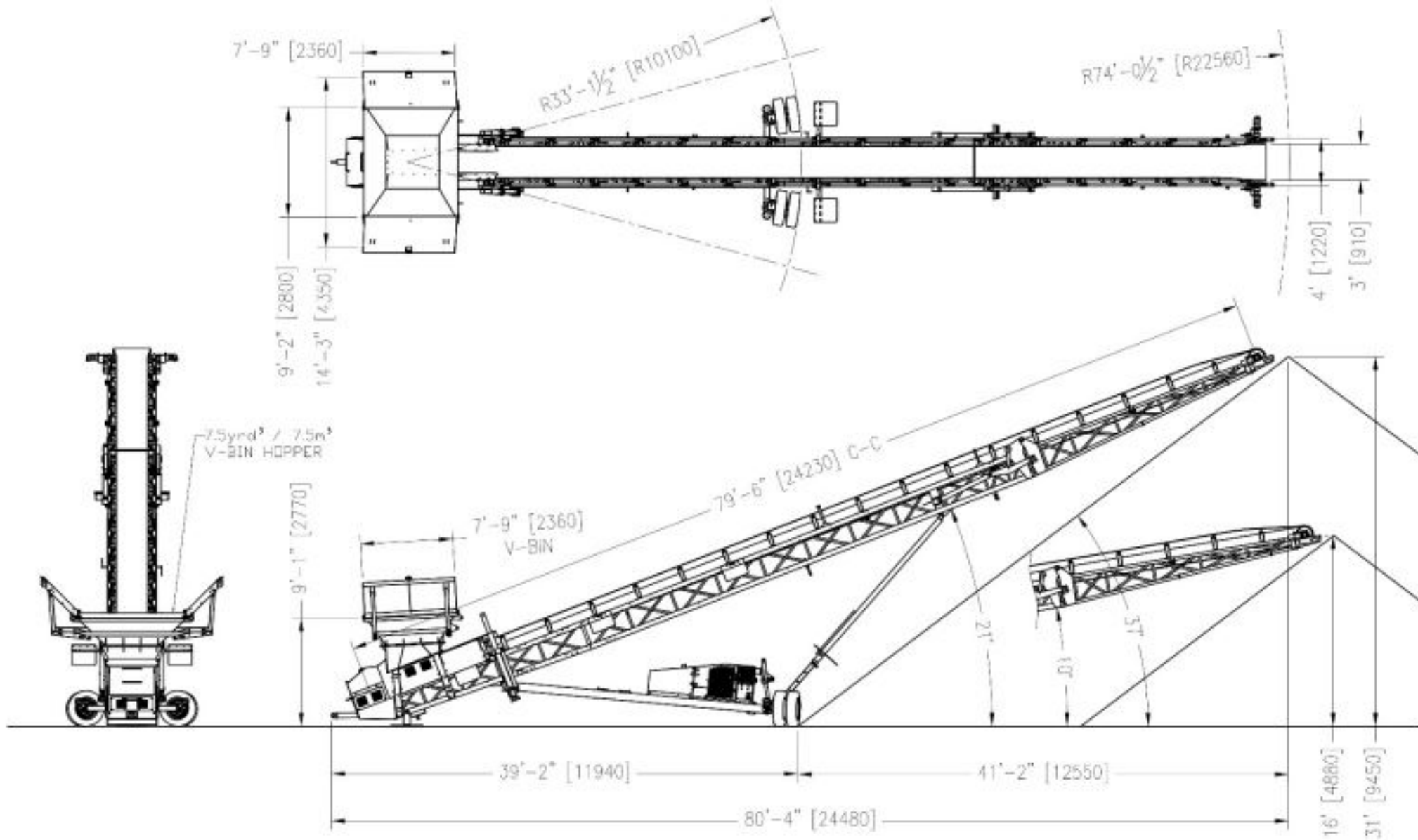




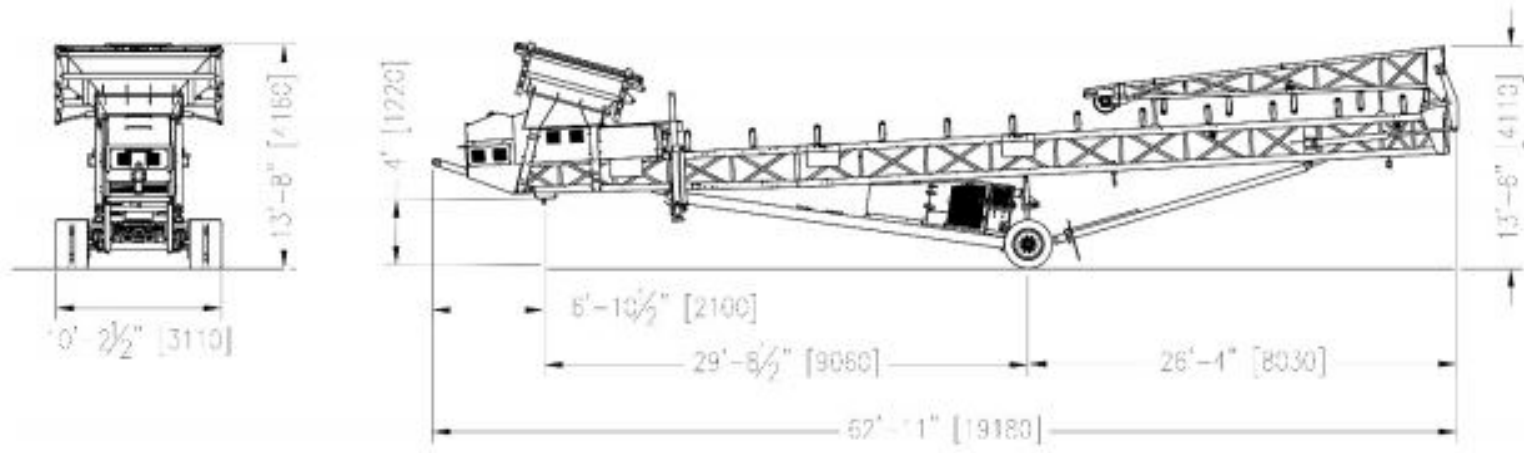
# LWS80 WHEELED STACKER

The Lippmann Wheeled Stackers have been designed for high capacity stockpiling operations. Conveyors come standard with electric drive, 7.5 cu. yard hopper, impact idlers under hopper and road towable. All units have optional upgrades of a diesel power unit, hydraulic main lift and hydraulic top fold along with dual power available to best suit the customer's application. The LWS Conveyor Line is also available as a radio-controlled track mounted unit. With its durable truss frame, large feed hopper and base production capacity of up to 800 TPH, the Lippmann LWS Stackers stand up well above the competition.

- 900mm (36") wide heavy duty 80' long conveyor
- 55 kW (74hp) Tier 4 diesel engine
- Road towable
- Air brakes, mud flaps, lights
- Large feeder hopper
- Hydraulic folding frame for easy transport
- Fast on-site setup time (5 minutes)
- Abundant service room inside power-pack
- Adjustable hopper height to optimize operational efficiency



# LWS80



## SPECIFICATIONS

### Conveyor Specs

Belt Width	36" (900mm)
Belt Length (Pulley Centers)	80' (24,380mm)
Belt Type	Heavy Duty Plain 3-Ply, 3/16"x1/16"
Drive Pulley Diameter	16" (406mm)
Tail Pulley Diameter	12" (304mm)
Maximum Belt Speed	548 ft/min. (167 m/min.)
Maximum Conveyor Capacity	800 TPH

### Optional Self-Contained Diesel Engine

Diesel Engine Size	74 hp (55 kW)
Diesel Tank Capacity	87 US Gallon (330 L)
Hydraulic Tank Capacity	116 US Gallon (440 L)

### Working Dimensions

Width	15' 4" (4,670mm)
Length	83' 0-1/2" (25,310mm)
Height	31' 8-1/2" (9,466mm)

### Transport Dimensions

Width	10' 4" (3,160mm)
Length	61' 5" (18,730mm)
Height (approximate)	13' 6" (4,110mm)

Total Weight (approximate)	24,000 lbs (10,900 kg)
----------------------------	------------------------

## ADDITIONAL OPTIONS

Self-Contained Diesel engine - Hydraulic Drive,

Hydraulic Landing Gear

Dual Power (Electric/Hydraulic)

Belt Scale

Spray Bar

Chevron Belt

Asgico Belt Scraper

Axle Extensions

Hopper Wear Plate Liner

Auxiliary Guarding